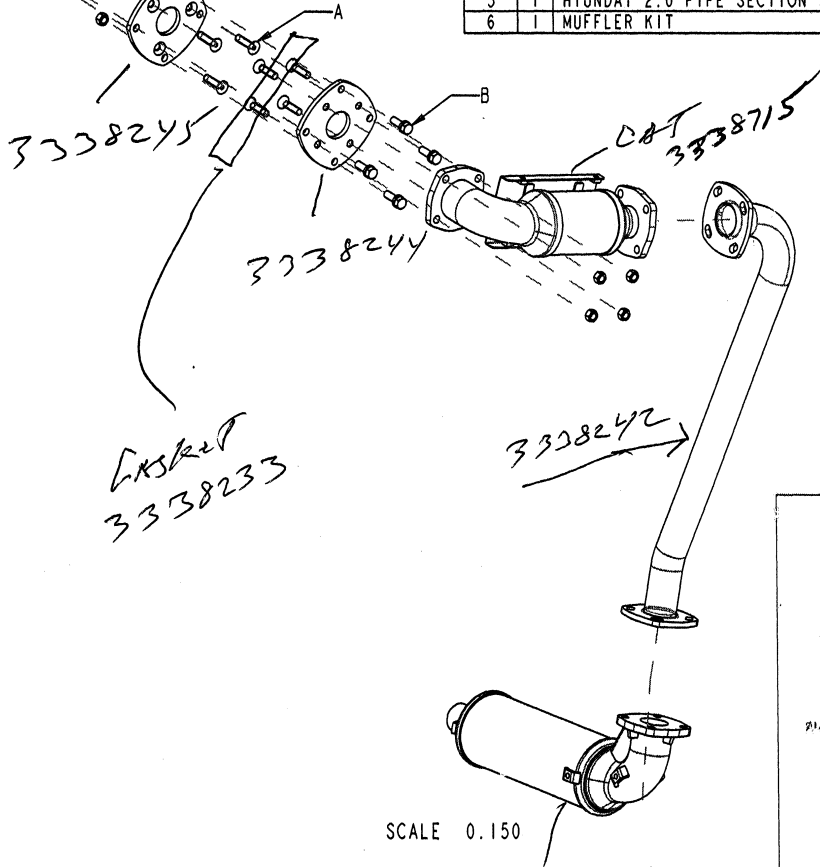


MANIFOLD
3338670

BILL OF MATERIALS				
ITEM	QTY	DESCRIPTION	MANUF.	MANUF. NO.
1	1	FLANGE, CATALYST	KUBOTA	EPS2483
2	1	OXYGEN SENSOR PORT	POWERBOSS	EPS2515
3	1	HYUNDAI 2.0 SENSOR ELBOW (MOD)	POWERBOSS	EPS3504
4	1	HYUNDAI 2.0 SLASH CUT ELBOW (MOD)	KUBOTA	EPS3505
5	1	HYUNDAI 2.0 PIPE SECTION 3	POWERBOSS	EPS3508
6	1	MUFFLER KIT	KUBOTA	EG-561-12001



DF752
CAT/MUF. SYSTEM
R&P

NOTES:
PLEASE TORQUE BOLTS TO THE FOLLOWING VALUE;
PART A) 25 FT-LBS
PART B) 25 FT-LBS

POWERBOSS HAS CONFIRMED THE TORQUE
QA ABOVE TO JOINT BETWEEN THE
EXHAUST MANIFOLD AND THE CONVERTER

FOR FILE	
THIS DRAWING IS THE PROPERTY OF POWERBOSS. IT IS TO BE USED ONLY FOR THE PURPOSES SPECIFIED HEREIN. IT IS NOT TO BE REPRODUCED OR TRANSMITTED IN ANY FORM OR BY ANY MEANS, ELECTRONIC OR MECHANICAL, INCLUDING PHOTOCOPYING, RECORDING, OR BY ANY INFORMATION STORAGE AND RETRIEVAL SYSTEM, WITHOUT THE WRITTEN PERMISSION OF POWERBOSS.	
GASKET-EXHAUST 6X	
CONTRACT NO. 707 1115	ITEM 67A
MANUFACTURED BY	POWERBOSS
DATE	100
REV	BY
DATE	DATE
POWERBOSS	P.N. 3338233

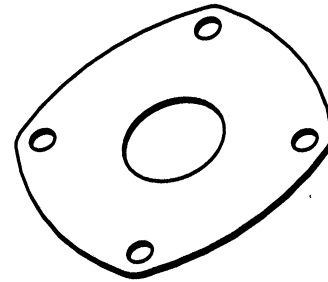
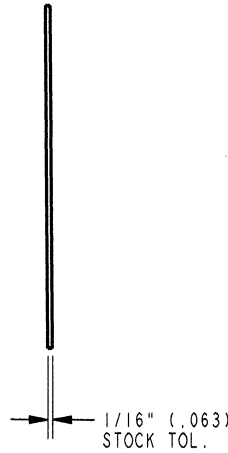
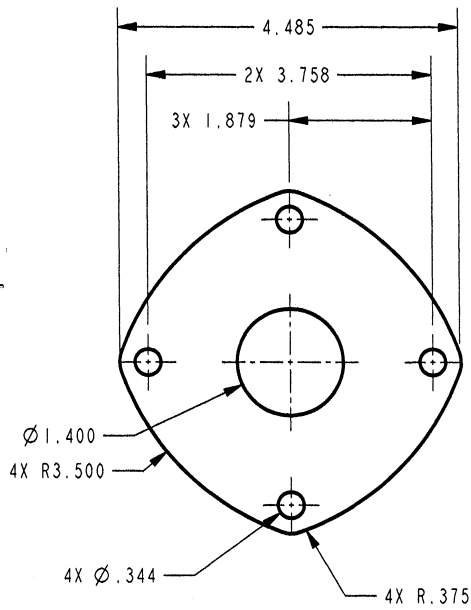
MUFFLER
3335866

SCALE 0.150

Exhaust System

FOR MORE INFORMATION PLEASE REFER TO TO THE DEI

Item #	Description	Part #
1	Exhaust Manifold	15862-12314
2	Exhaust Manifold Adapter	3338245
3	Exhaust Manifold Adapter	3338244
4	Catalytic Converter	EG801-12020
5	Exhaust Pipe	3338243
6	Muffler Kit	EG561-12001

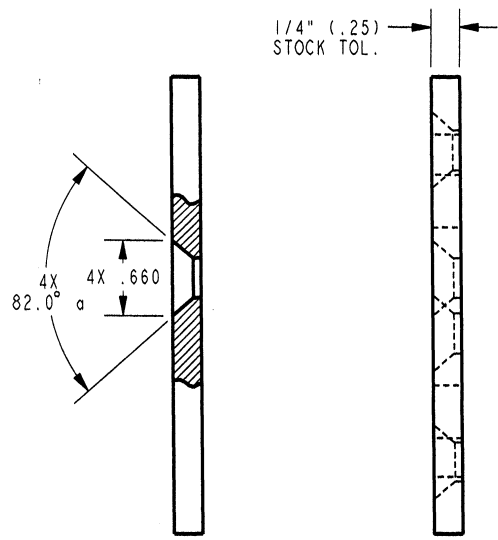
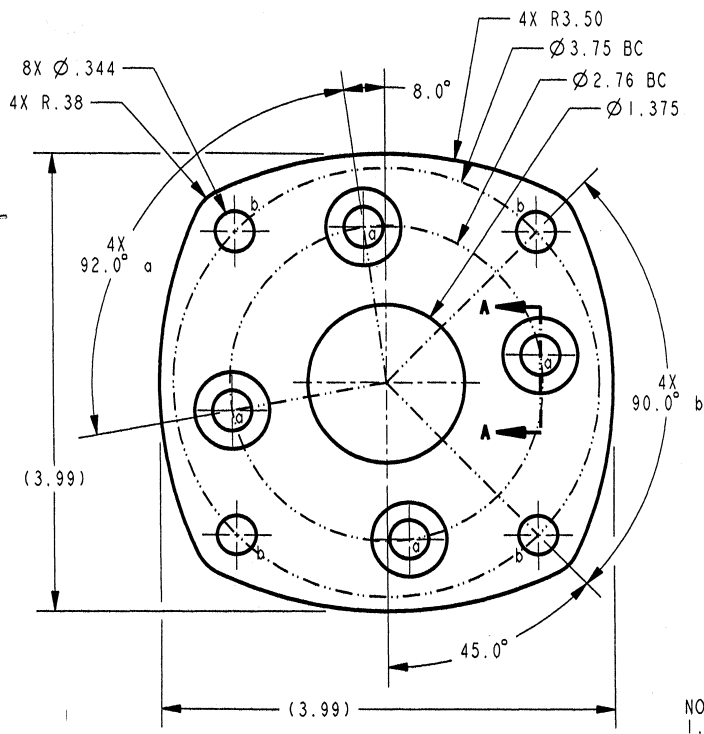


CONFIDENTIAL			
THIS DRAWING AND ALL INFORMATION CONTAINED HEREIN ARE THE EXCLUSIVE PROPERTY OF MINUTEMAN INTERNATIONAL, INC. THIS DRAWING IS NOT TO BE COPIED OR OTHERWISE REPRODUCED WITHOUT EXPRESSED WRITTEN PERMISSION OF MINUTEMAN INTERNATIONAL, INC. IN ADDITION, THIS DRAWING MUST BE RETURNED UPON REQUEST. FURTHER, ALL INFORMATION CONTAINED HEREIN MUST BE MAINTAINED CONFIDENTIAL.			
TITLE		GASKET-EXHAUST 6X	
		SCALE NTS	
MATERIAL		FINISH	
1/16" (.0625) THK 3003-O AL		PB-FIN. NF.NA	
TOLERANCES (UNLESS OTHERWISE SPECIFIED)		REMOVE BURRS AND BREAK SHARP EDGES .005/.020	
X ± .1 XX ± .03 XXX ± .010		ANGULAR X ± 1° X ± 5°	
		DRAWN BY	DATE
		CRC	8/3/11
		CHECKED BY	DATE
		TBD	00/00/00
		P.N.	REV
		3338233	*

REV	ECN	DATE	CHANGE	BY	CHK BY
		6/03/11	RELEASED FOR PRODUCTION	CRC	

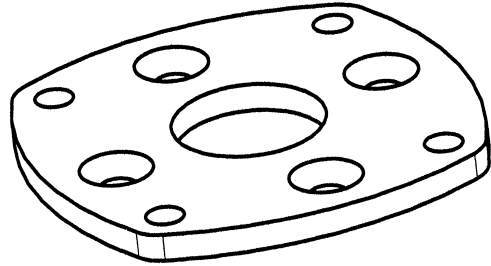
Minuteman®
PowerBoss®
175 ANDERSON STREET
ARREDEN, NC 28215

SHEET 1 OF 1



SECTION A-A

- NOTES:
 1. PART IS NOT REVERSABLE
 2. PAGE 2 IS 1:1 SCALE FOR LASER DXF

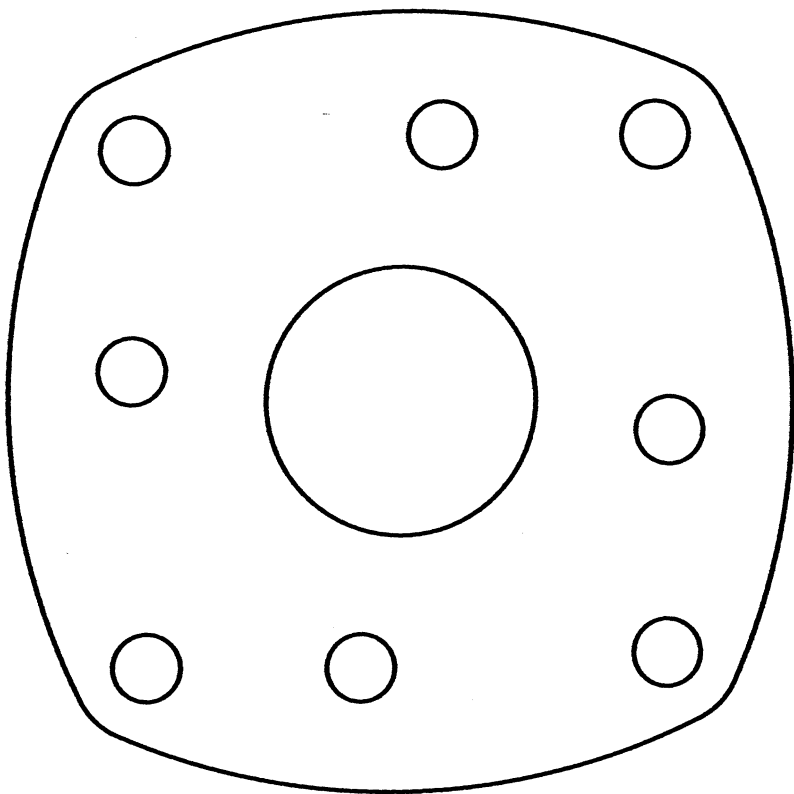


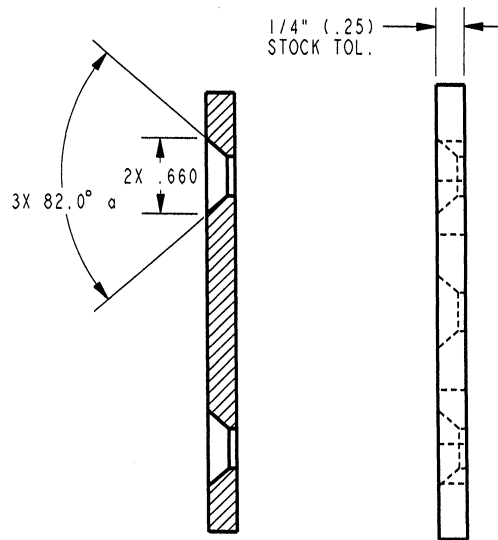
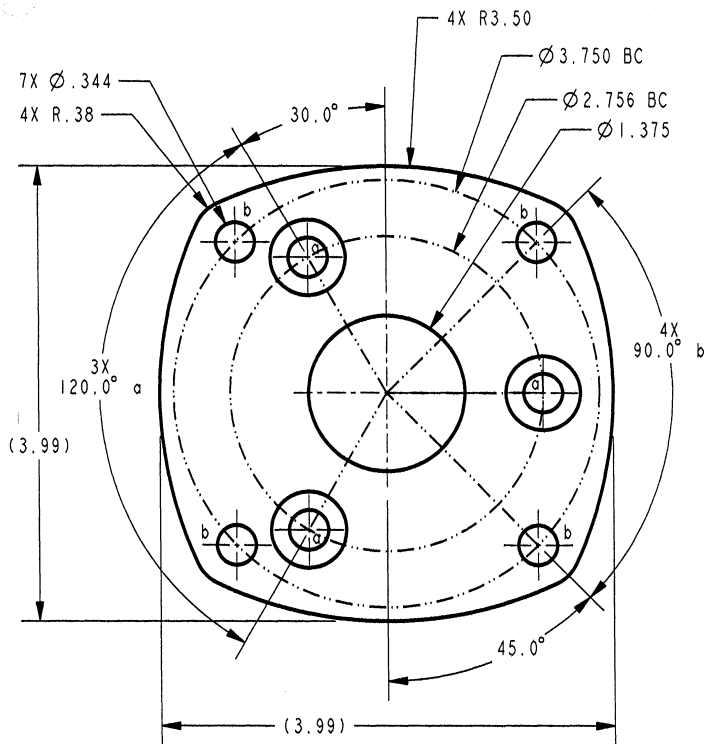
CONFIDENTIAL

THIS DRAWING AND ALL INFORMATION CONTAINED HEREIN ARE THE EXCLUSIVE PROPERTY OF MINUTEMAN INTERNATIONAL, INC. THIS DRAWING IS NOT TO BE COPIED OR OTHERWISE REPRODUCED WITHOUT EXPRESSED WRITTEN PERMISSION OF MINUTEMAN INTERNATIONAL, INC. IN ADDITION, THIS DRAWING MUST BE RETURNED UPON REQUEST. FURTHER, ALL INFORMATION CONTAINED HEREIN MUST BE MAINTAINED CONFIDENTIAL.

TITLE ADAPTOR - EXHAUST MANIFOLD		SCALE	NTS
MATERIAL	1/4" (.25) THK 1010-1020 CRS	FINISH	PB-FIN.PT.HB
TOLERANCES (UNLESS OTHERWISE SPECIFIED)		REMOVE BURRS AND BREAK SHARP EDGES .005/.020	
X ± .1	ANGULAR	DRAWN BY	EMARTIN
XX ± .03	X ± 1°	CHECKED BY	TBD
XXX ± .010	X ± .5°	DATE	04/08/2010
Minuteman® PowerBoss® 175 ANDERSON STREET ARDEN, NC 28315		P.N.	3338244
SHEET 1 OF 2		REV	*

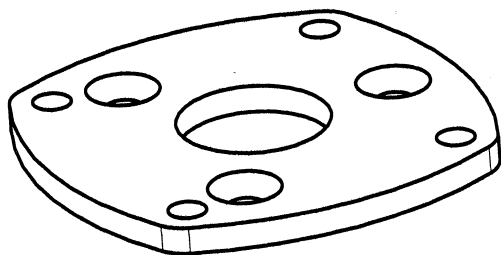
REV	ECN	DATE	CHANGE	BY	CHK BY
·	·	08/15/12	RELEASED FOR PRODUCTION	EWM	
1	-	04/08/10	PROTOTYPE PART	EWM	





SECTION A-A

NOTES:
1. PAGE 2 IS 1:1 SCALE FOR LASER DXF



CONFIDENTIAL			
THIS DRAWING AND ALL INFORMATION CONTAINED HEREIN ARE THE EXCLUSIVE PROPERTY OF MINUTEMAN INTERNATIONAL, INC. THIS DRAWING IS NOT TO BE COPIED OR OTHERWISE REPRODUCED WITHOUT EXPRESSED WRITTEN PERMISSION OF MINUTEMAN INTERNATIONAL, INC. IN ADDITION, THIS DRAWING MUST BE RETURNED UPON REQUEST. FURTHER, ALL INFORMATION CONTAINED HEREIN MUST BE MAINTAINED CONFIDENTIAL.			
TITLE ADAPTOR - EXHAUST MANIFOLD		SCALE NTS	
MATERIAL 1/4" (.25) THK 1010-1020 CRS		FINISH PB-FIN.PT.HB	
TOLERANCES (UNLESS OTHERWISE SPECIFIED)		REMOVE BURRS AND BREAK SHARP EDGES .005/.020	
X ± .1 .XX ± .03 .XXX ± .010		ANGULAR X ± 1° X ± 5°	
DRAWN BY EMARTIN		DATE 04/08/2010	
CHECKED BY TBD		DATE 00/00/00	
Minuteman® PowerBoss®		P.N. 3338245	
175 ANDERSON STREET		REV *	

REV	ECN	DATE	CHANGE	BY	CHK RY
.	.	8/15/12	RELEASED FOR PRODUCTION	EWM	
1	.	04/08/10	PROTOTYPE PART	EWM	

